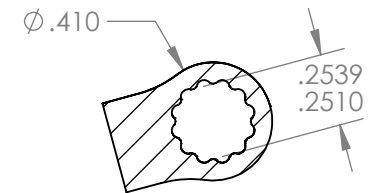
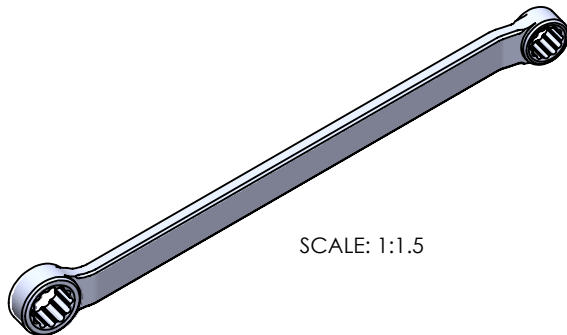



SECTION A-A  
SCALE 1.5 : 1



SECTION B-B  
SCALE 1.5 : 1



SCALE: 1:1.5

UNLESS OTHERWISE SPECIFIED: DIMENSIONS ARE IN INCHES			TOLERANCES: X.XX= ±0.13 X.XXX= ±0.015 X.XXXX= -0.0015		 <b>STERITOOL™</b> The Global Source for Stainless Steel Tools
DRAWN	NAME	SIGN	DATE		
APP'VD	A.T.		04.30.19		
MATERIAL: 17-4 MAGNETIC S.S.					TITLE: 1/4" X 5/16" DOUBLE BOX END WRENCH
THIS DRAWING IS THE PROPERTY OF STERITOOL, INC. ANY REPRODUCTIONS OR MODIFICATIONS OF THIS DRAWING OR ITS CONTENTS WITHOUT THE CONSENT OF STERITOOL, INC. IS PROHIBITED.					PART NO. 20550
					SCALE: 1:1